

Lite4u

LED CANOPY LIGHT SPECIFICATION (XSY-CP60WXXK)



Product Name	LED Canopy Light
Model Number	XSY-CP60WXXK
Version Number	A version
Valid From	2017 / 11 / 1

LED Canopy Light Series

Model No.: XSY-CP60WXXK

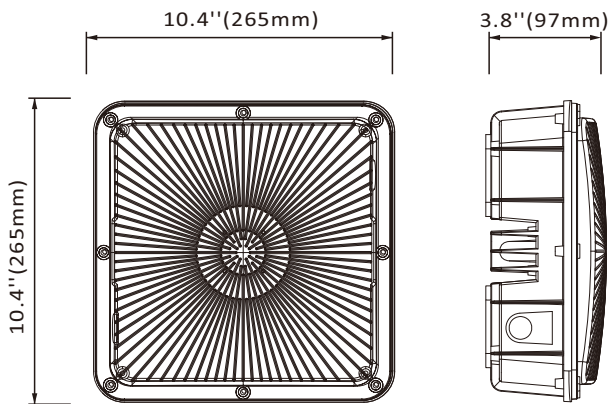
Power: 60W



Features

- Universal voltage AC100-277V 50/60Hz.
- 110lm/W for fixture.
- Using high quality 3030 chips, LM-80 report and IES data available.
- High Power Factor >0.9, Low THD Driver.
- Brown die-casting aluminum case, PC cover.
- The whole lamp with the powder coating is brighter, without fading and corrosion.
- Silicone rubber seal, moisture, high temperature.
- Built-in light module, easy maintenance, low maintenance costs.
- 5 years Warranty.
- UL/DLC/ certificate.

Drawing



Application

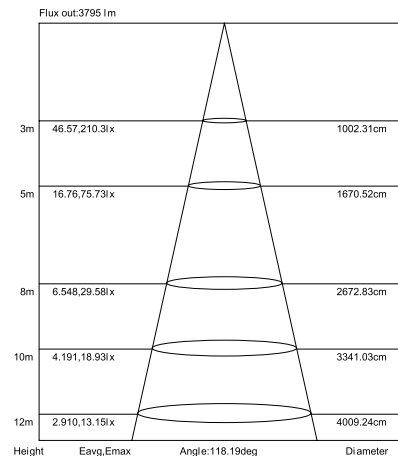
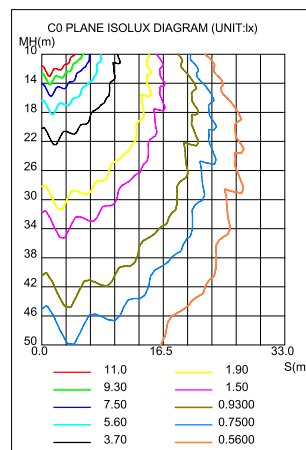
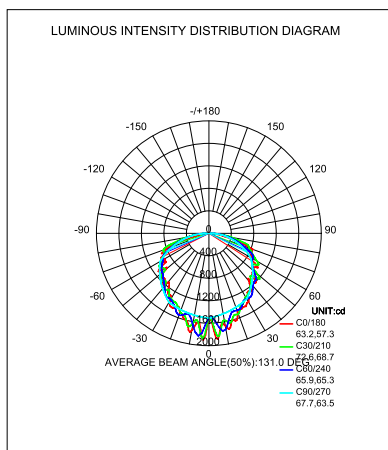
Auto dealership, corporate & office, education, government, healthcare industrial & warehouse, municipal, parking, petroleum & convenience stores, recreation & public venues, restaurants & hospitality, retail & grocery.



Parameters

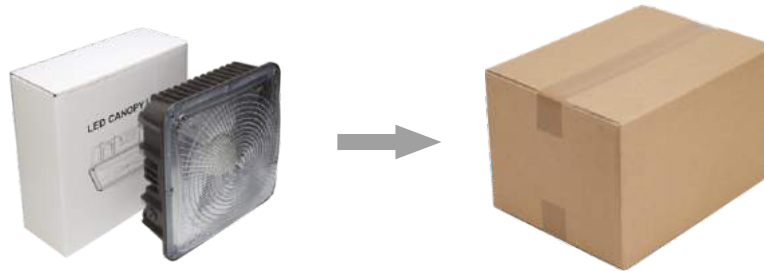
Item	Model	XSY-CP60WXXK
General Performance	Power	60W
	Lumen Output	6600lm
	Efficacy	110lm/W
	Color Temperature	3000K/4000K/5000K/5700K
	LED	3030
Electrical	Power Factory	>0.9
	Input Voilage	100-277VAC,50/60Hz
	THD	<20%
Physical	Weight	2.0Kg
	Dimension	265x265x97mm
	Housing	Die-cast aluminum
	Lens	PC
	Mounting	Recessed Outlet or to surface
	Angle	110°
	Operation Temperature	-35°C~55°C
	Humidity	20%~85%,non condensing
	Finish	Brown
Certificate	Certificate	UL,DLC
	Driver Class	Class II
	LED Class	LM80 rated to 50,000 hours

Photometry



Packaging

No.	Model	Power	N.W.	Inner Box	G.W	Qty/ctn	Outer Carton
1	XSY-CP60WXXK	60W	2.0Kg	275x110x280mm	9.45Kg	4	470x285x300mm

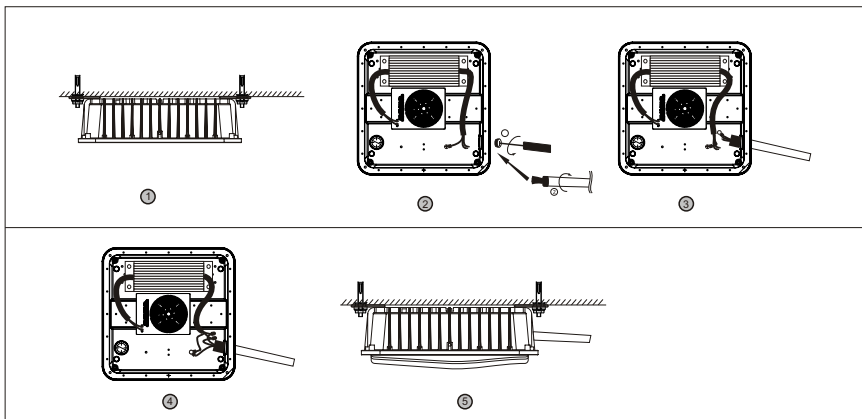


Installation Instruction

***Warning: Do cut off electrical source in order to avoid electrical shock and endanger life-safety before installation.**

1 Ceiling Mounting

1. Loosen screws and remove the front lens set carefully from the back plate.
2. Remove 1/2" plug from where you intend to feed conduit.
3. Drilling out the holes (C) to secure it on the wall with choosing proper screws.
4. Finish wiring (Black for line, White for neutral and Green/Yellow Green for ground).
5. Replace the lens set on the hinge and finish connection, Close the lens set and tighten the screws to fasten the lens set to the back plate.



2 Pendant Mounting

1. Feed the luminaire leads through the Stem and attach Stem to luminaire by threading the stem into the threaded hub.
2. According to the module screw hole size play hole location on the ceiling.
3. Into the fixed screw on the hole location.
4. Connect the input cable. (In the case of power cuts, Joint need waterproof)

